

ITEM NO.	PART NUMBER	DESCRIPTION	QTY.
1	S-2-10-2	x	1
2	S-1-8-1	x	1
3	S-2-10-05	x	1
4	Spring	Length: 32mm. Dia: 8,8mm. Force: 16N. Flat ends.	1
5	FZB-MC6S 4x18	Screw	1
6	S-W-180		1

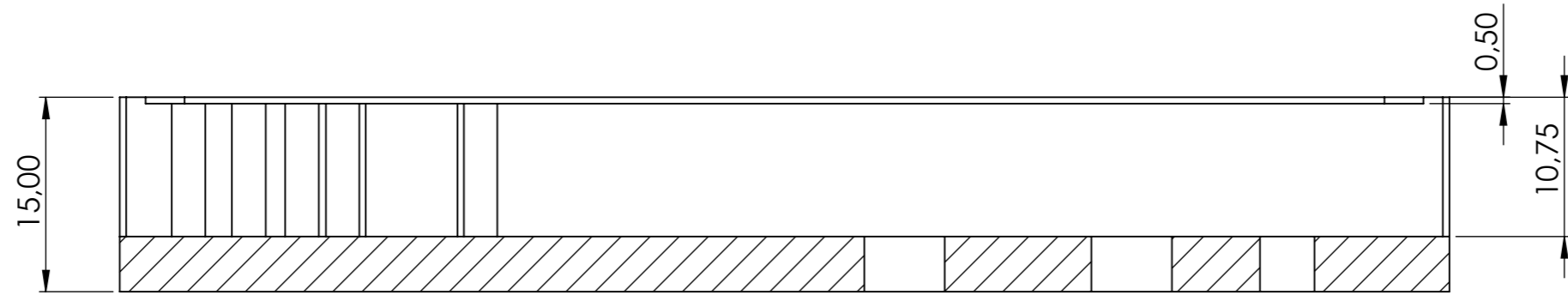
Tolerance:
 ISO 2768-Medium
 unless otherwise stated

All measures in mm unless
 otherwise stated

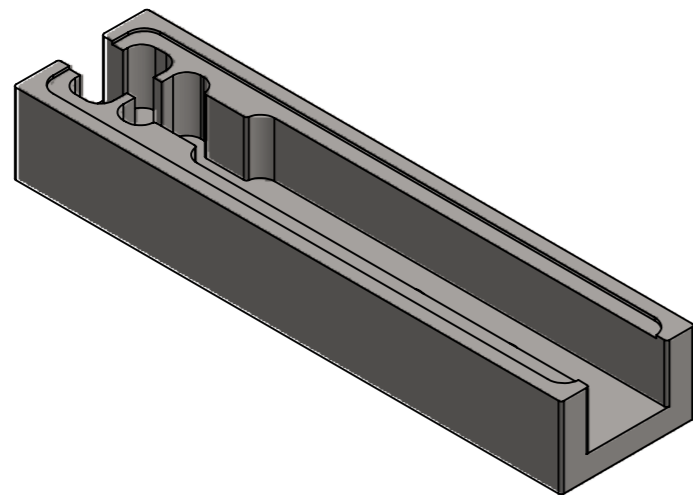
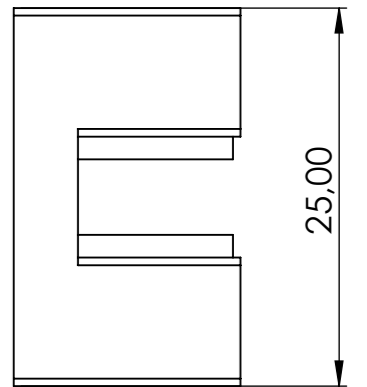
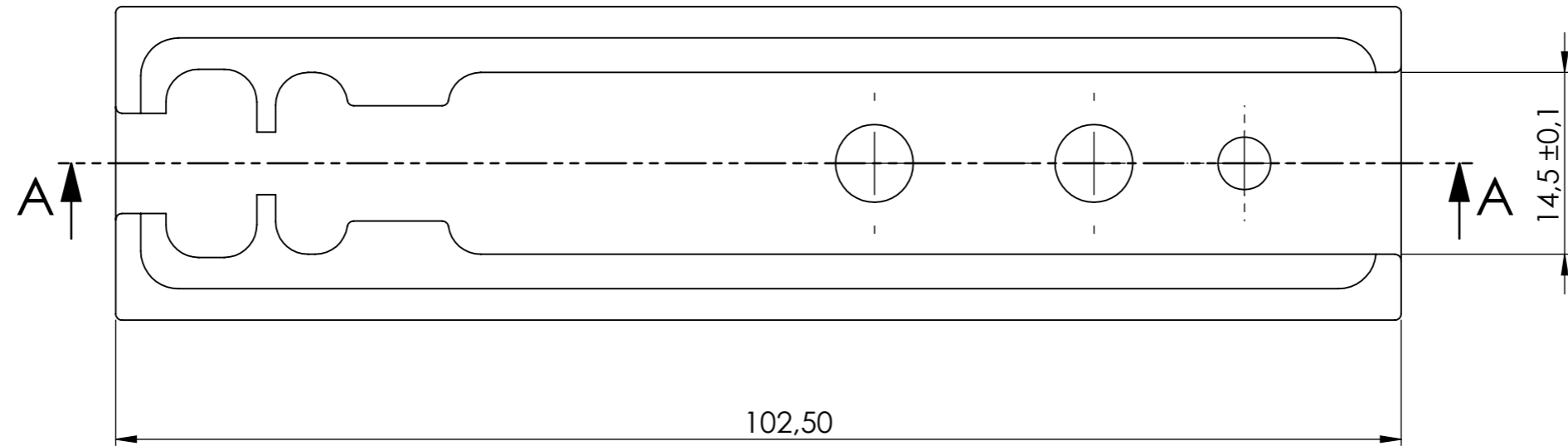
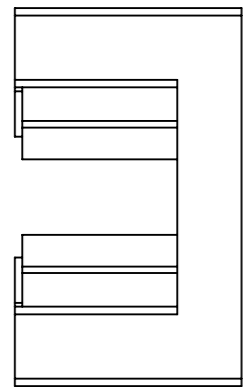
Chamfer sharp edges


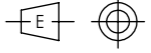
MATERIAL	WEIGHT Gram	SURFACE	COLOR
	339.21	-	-
DRAWN BY	SCALE	PAPER SIZE	PROJECTION
eandersson	1:1	A3	
DESIGNATION	ART.NR.		
-	S-Lock		
	REV.		

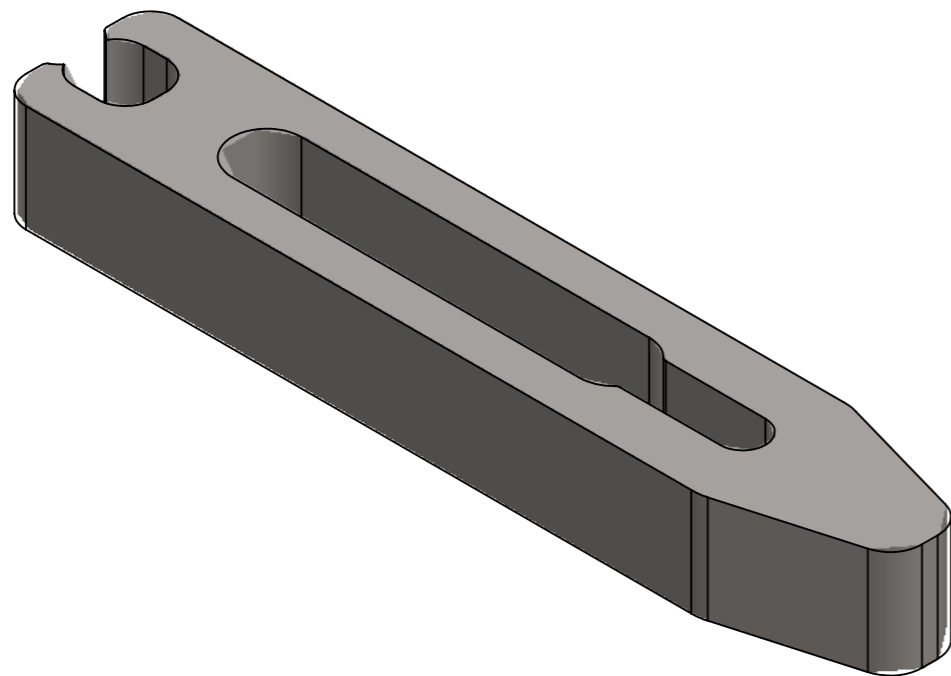
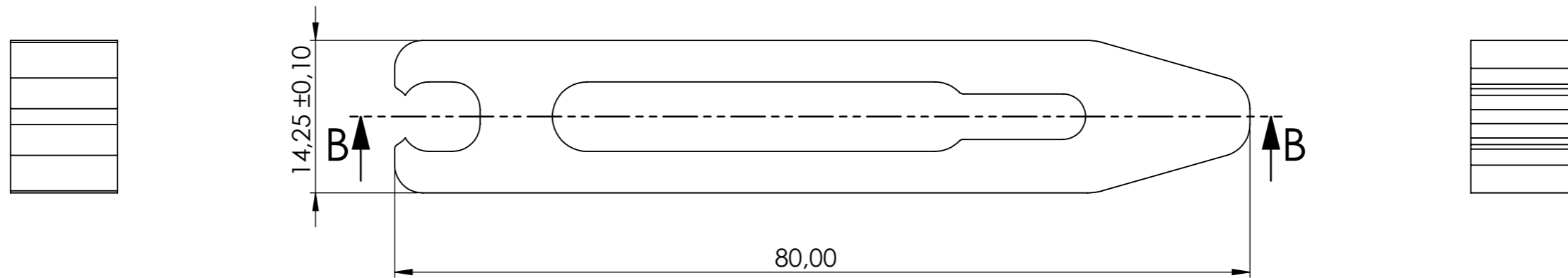
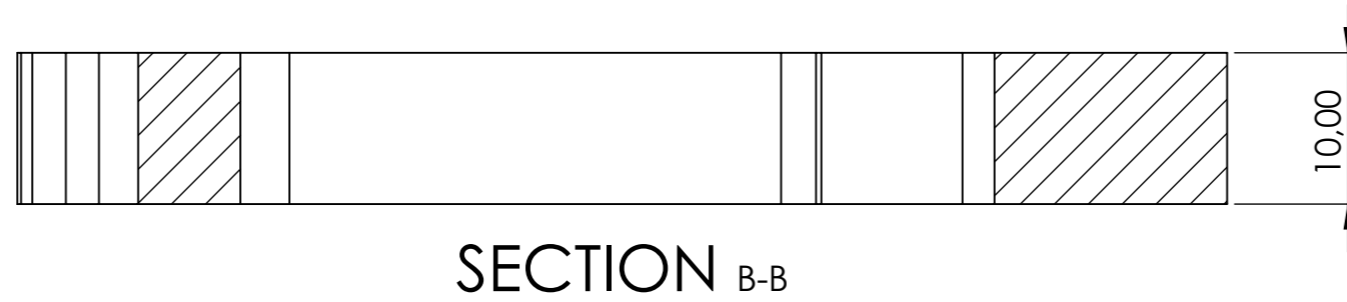



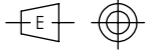


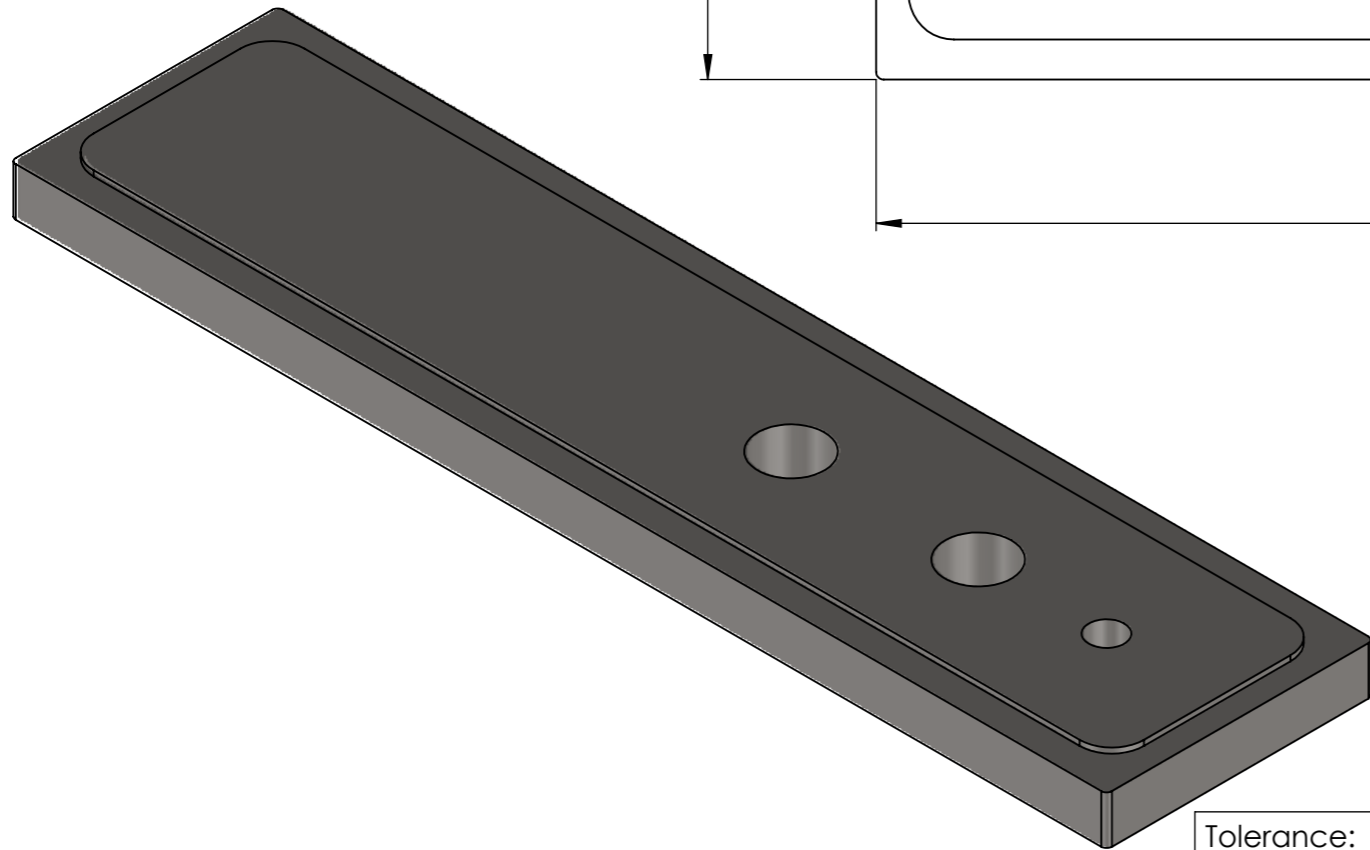
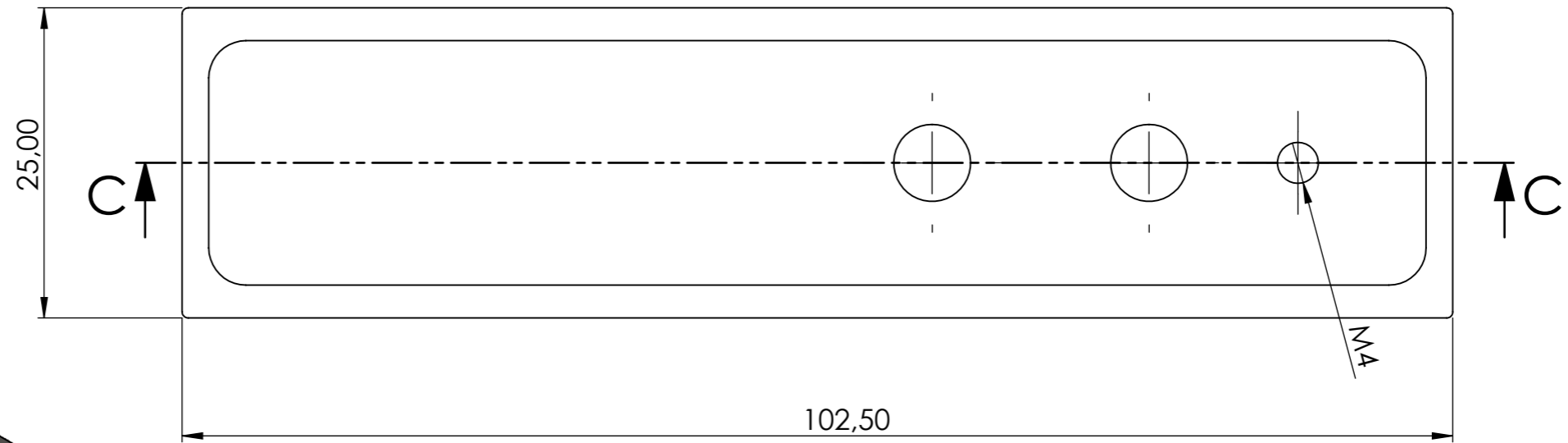
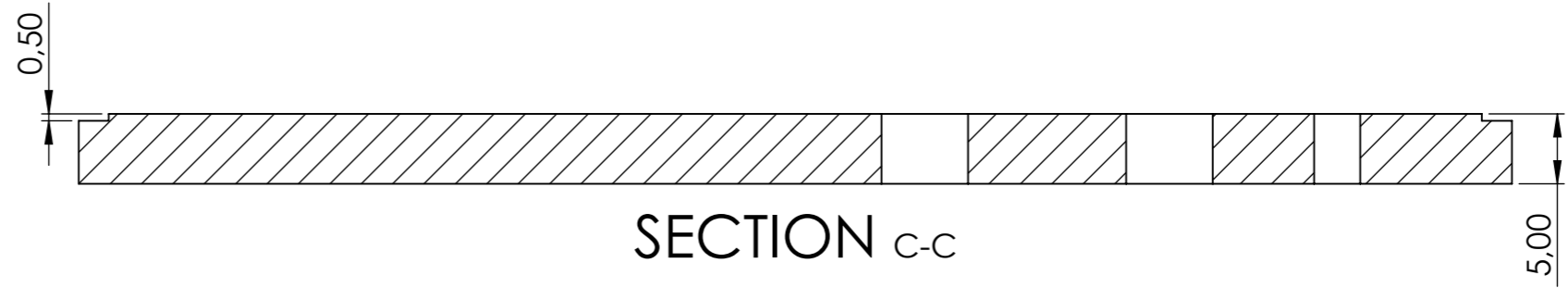
SECTION A-A


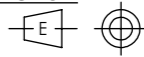


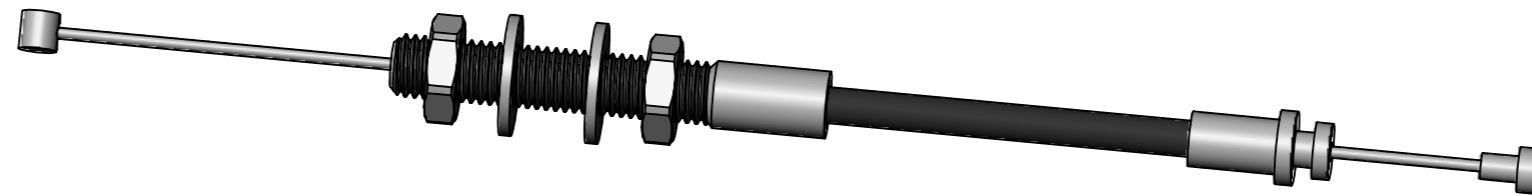
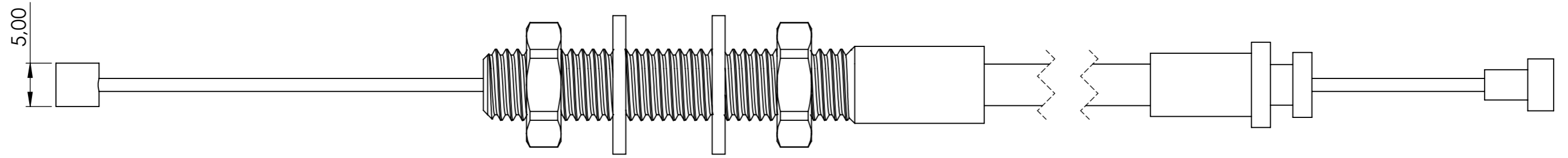
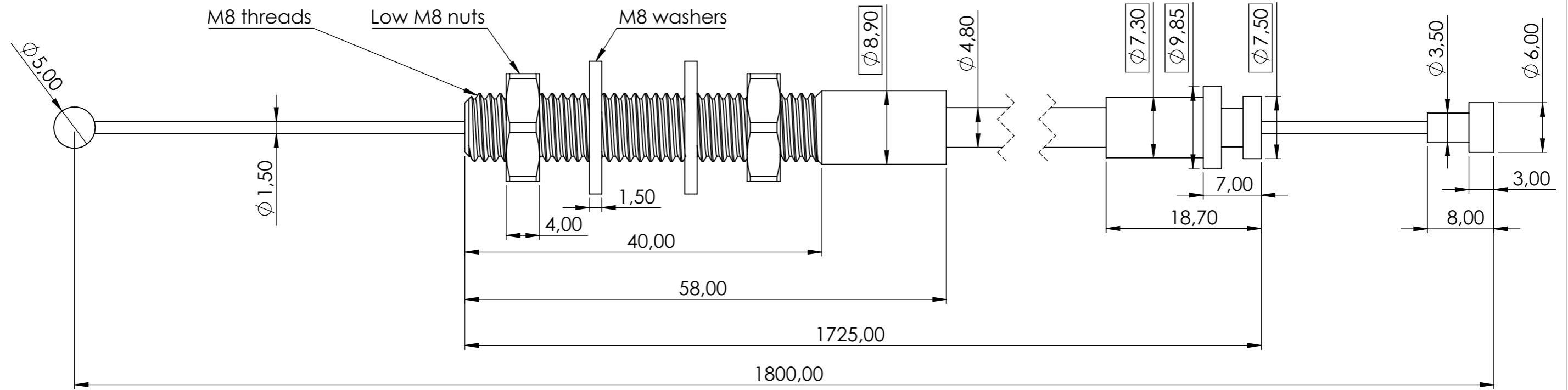
Tolerance: ISO 2768-Medium unless otherwise stated All measures in mm unless otherwise stated Chamfer sharp edges	<u>MATERIAL</u> Steel C45	<u>WEIGHT Gram</u> 178.12	<u>SURFACE</u> White zink plating	<u>COLOR</u> -	
	<u>DRAWN BY</u> eandersson	<u>SCALE</u> 2:1	<u>PAPER SIZE</u> A3	<u>PROJECTION</u> 	
	<u>DESIGNATION</u> -				<u>ART.NR.</u> S-2-10-2
					<u>REV.</u>




Tolerance: ISO 2768-Medium unless otherwise stated	<u>MATERIAL</u>	<u>WEIGHT Gram</u>	<u>SURFACE</u>	<u>COLOR</u>	
	Steel C45	57.69	White zink plating	-	
	<u>DRAWN BY</u>	<u>SCALE</u>	<u>PAPER SIZE</u>	<u>PROJECTION</u>	
All measures in mm unless otherwise stated	eandersson	2:1	A3		
Chamfer sharp edges	<u>DESIGNATION</u>				ART.NR. S-1-8-1
	-				REV.



Tolerance: ISO 2768-Medium unless otherwise stated	<u>MATERIAL</u>	<u>WEIGHT Gram</u>	<u>SURFACE</u>	<u>COLOR</u>	
	Steel C45	94.76	White zink plating	-	
	<u>DRAWN BY</u>	<u>SCALE</u>	<u>PAPER SIZE</u>	<u>PROJECTION</u>	
	eandersson	2:1	A3		
All measures in mm unless otherwise stated	<u>DESIGNATION</u>				<u>ART.NR.</u>
Chamfer sharp edges	-				S-2-10-05
					<u>REV.</u>



Tolerance: ISO 2768-Medium unless otherwise stated All measures in mm unless otherwise stated Chamfer sharp edges	MATERIAL	WEIGHT Gram	SURFACE	COLOR	
	DRAWN BY	SCALE	PAPER SIZE	PROJECTION	
	DESIGNATION				ART.NR.
					S-Lock